

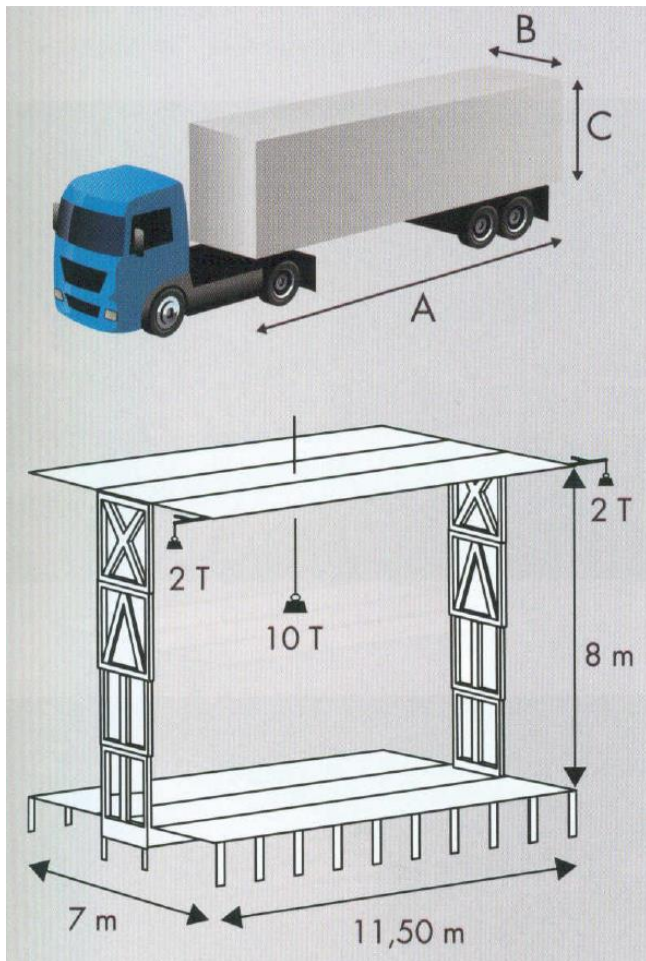
ALPHA STAGE 80 – BIG

80m²



ALPHA STAGE 80 – BIG

80m²



TRAILER

Length (A)	11,70 m
Width (B)	2,55 m
Height (C)	4 m
Weight	17 T
Vehicle registration	ON-34-FB

STAGE floor

Length x Depth	11,50 x 7 m
Floor height	1,40 / 1,80 m
Bearing capacity	750 kg/m ²
Area	80,5 m ²
Black slip-proof marin plywood	

Stage roof

Length x Depth	11,50 x 7,80 m
Load capacity	10 T
Clearance	8 m
Hanging point 500kg	12
Hanging point 350kg	9

PA-wings

PA sound load capacity	2 x 2 T
------------------------	---------

PRACTICAL ASPECTS

Set up time	2.5 hour
Minimum crew	2 persons

OPTIONS

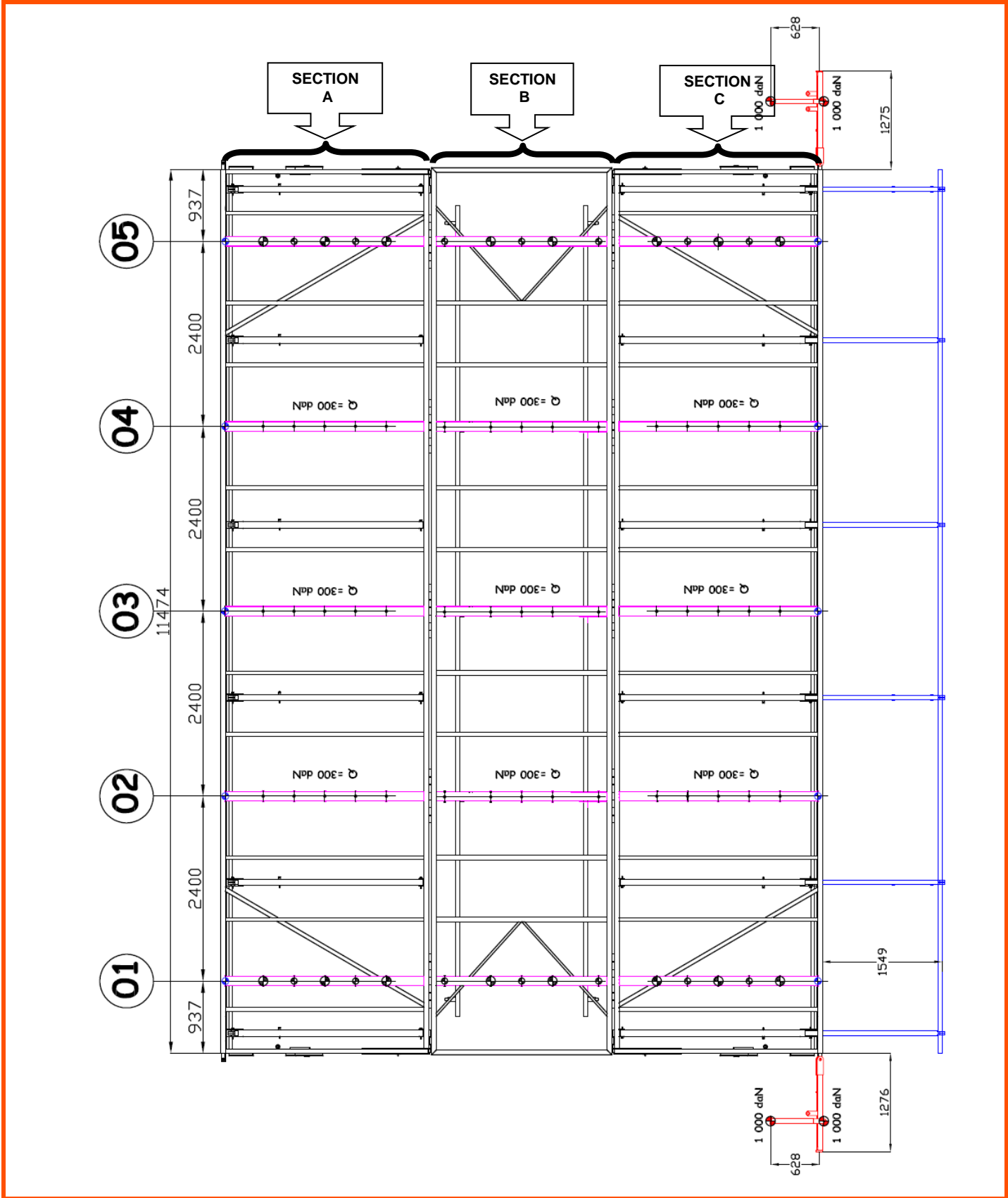
Lights 400W Metal Halide	
Front	2
Middle	3
Back	2
Electrical	32A CEE 3L+N+PE 6h

DETAILS

1x stairs and 1x ramp standard included
<i>Extra stairs or ramp on request !</i>

Stage Skirt / Backdrop / Blinds	
Floor blind skirt	Black or Grey PVC
Backdrop	Black PVC (or Grey mesh)
Sideblinds	Black PVC

TUV SUD certified
Wind resistance 73 km/h (8 Beaufort)



ALPHA STAGE 80 – BIG

Roof bar 02, 03 and 04 (SECTION A + B + C)

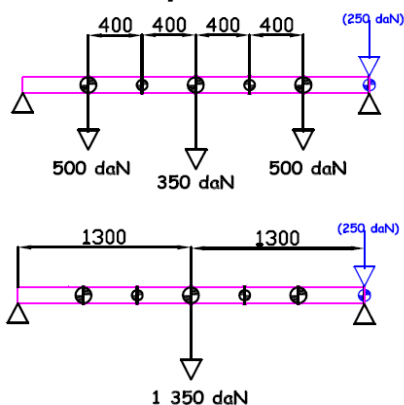
Total max load per part = 300 daN (as described in drawing)

Roof bar 01 and 05 (SECTION A + C)

Total max load per part = 1350 daN

Full load middle point or homogeneous load

Load examples

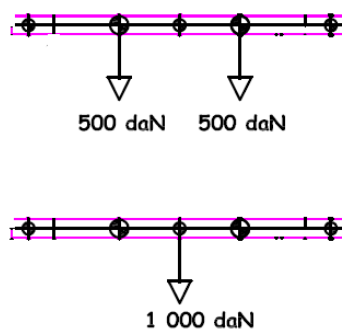


Roof bar 01 and 05 (SECTION B)

Total max load per part = 1000 daN

Full load middle point or homogeneous load

Load examples

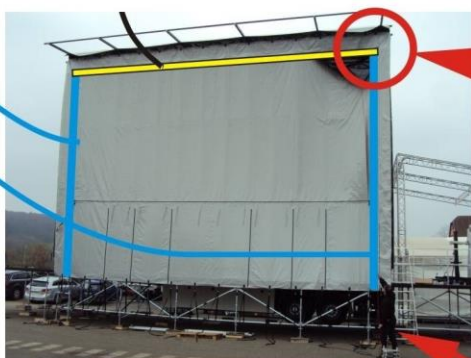
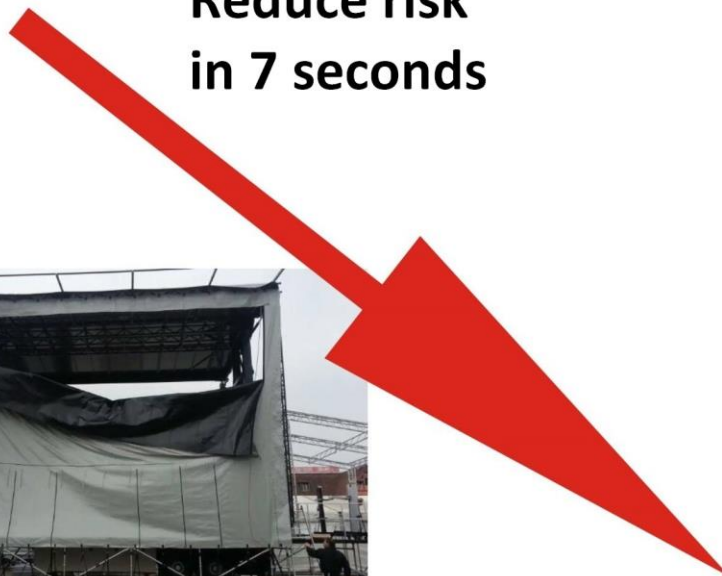


ALPHA STAGE 80 – BIG

80m²



Reduce risk
in 7 seconds



ALPHA STAGE 8o – BIG**80m²****RAMP**

Max. load	1000
Lenth (A)	5000mm
Width (B)	940mm
Weigth	99kg
C	1000mm
D	140mm
E	32mm

